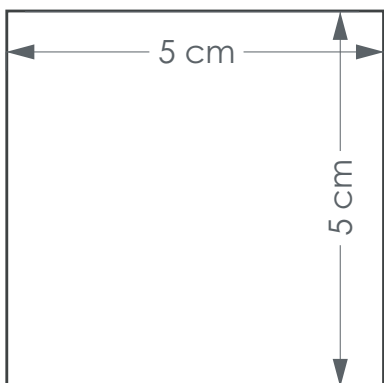


Das Schnittmuster enthält keine Nahtzugabe.
Seam allowance not included.



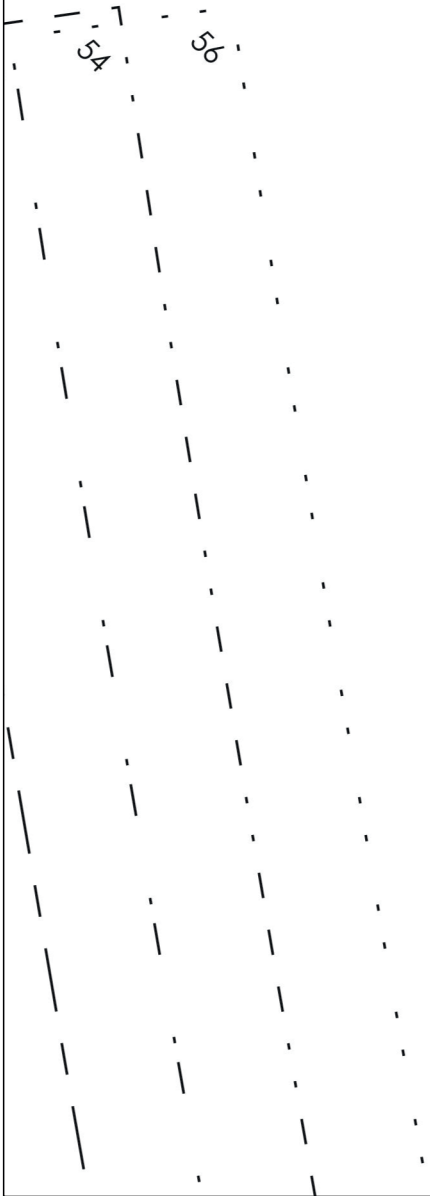
A1

ever
Levi
BIAS SK



me
KIRT

A3



1

FRONT 1 X CUT ON

BACK 1 X CUT ON

B1

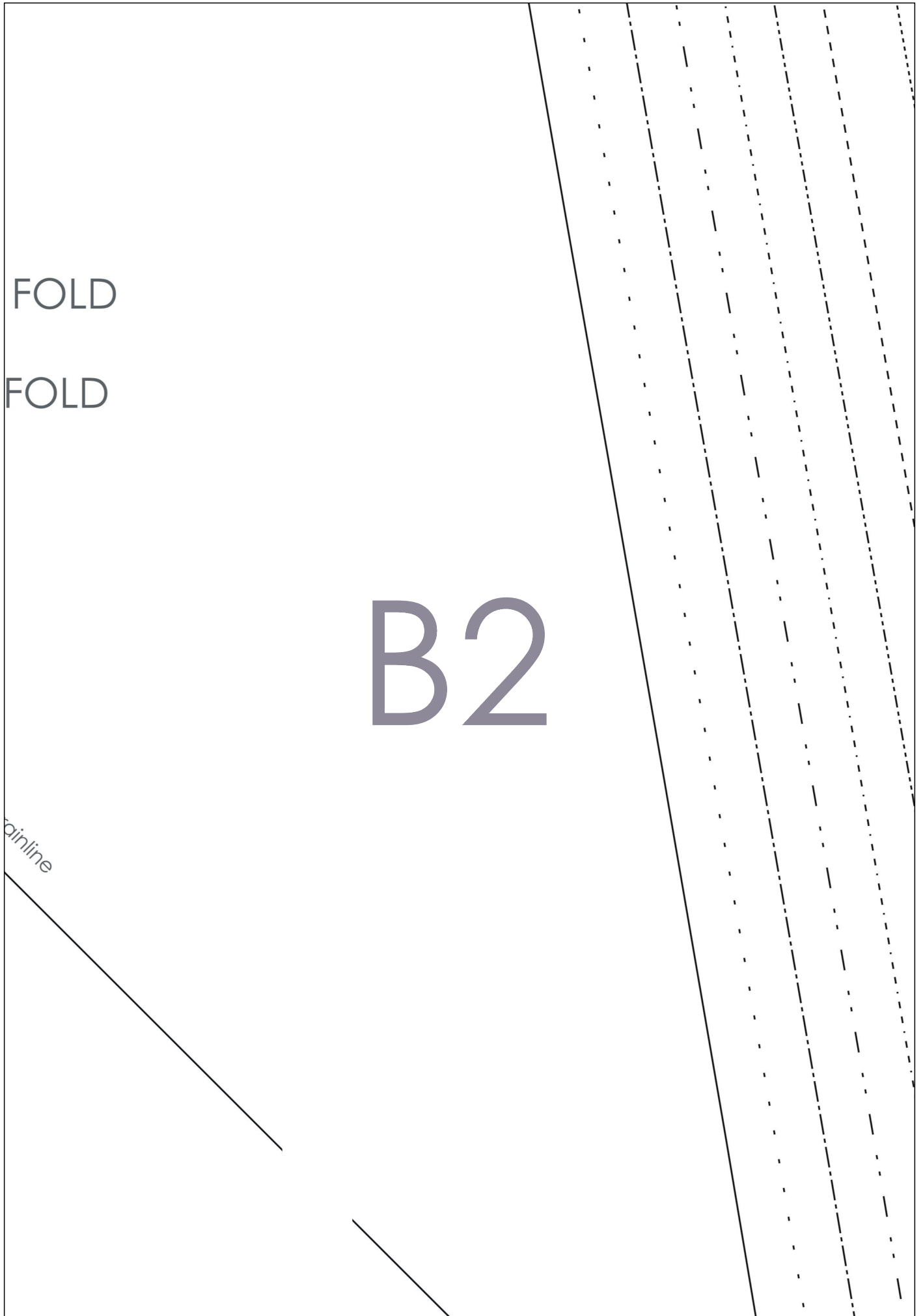
Fadenlauf / Gr

FOLD

FOLD

B2

mainline



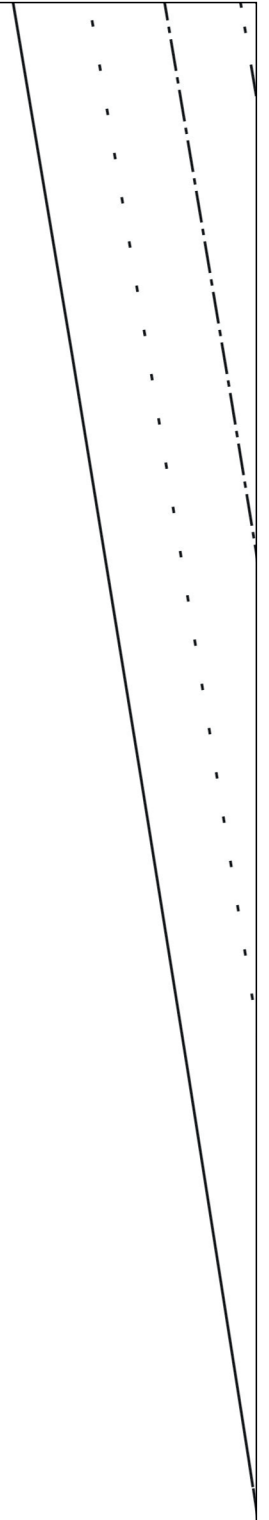
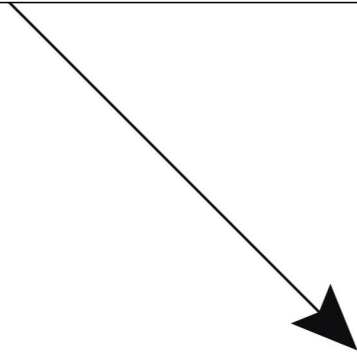
The page features a series of slanted lines for handwriting practice, starting from the left edge and extending towards the right. The lines are arranged in a sequence of four different styles: a solid line, a dashed line, a dotted line, and a dash-dot line. These lines are positioned on the left side of the page, leaving the right side open for writing.

B3

Stoffbruch / Fold

C1

C2





C3

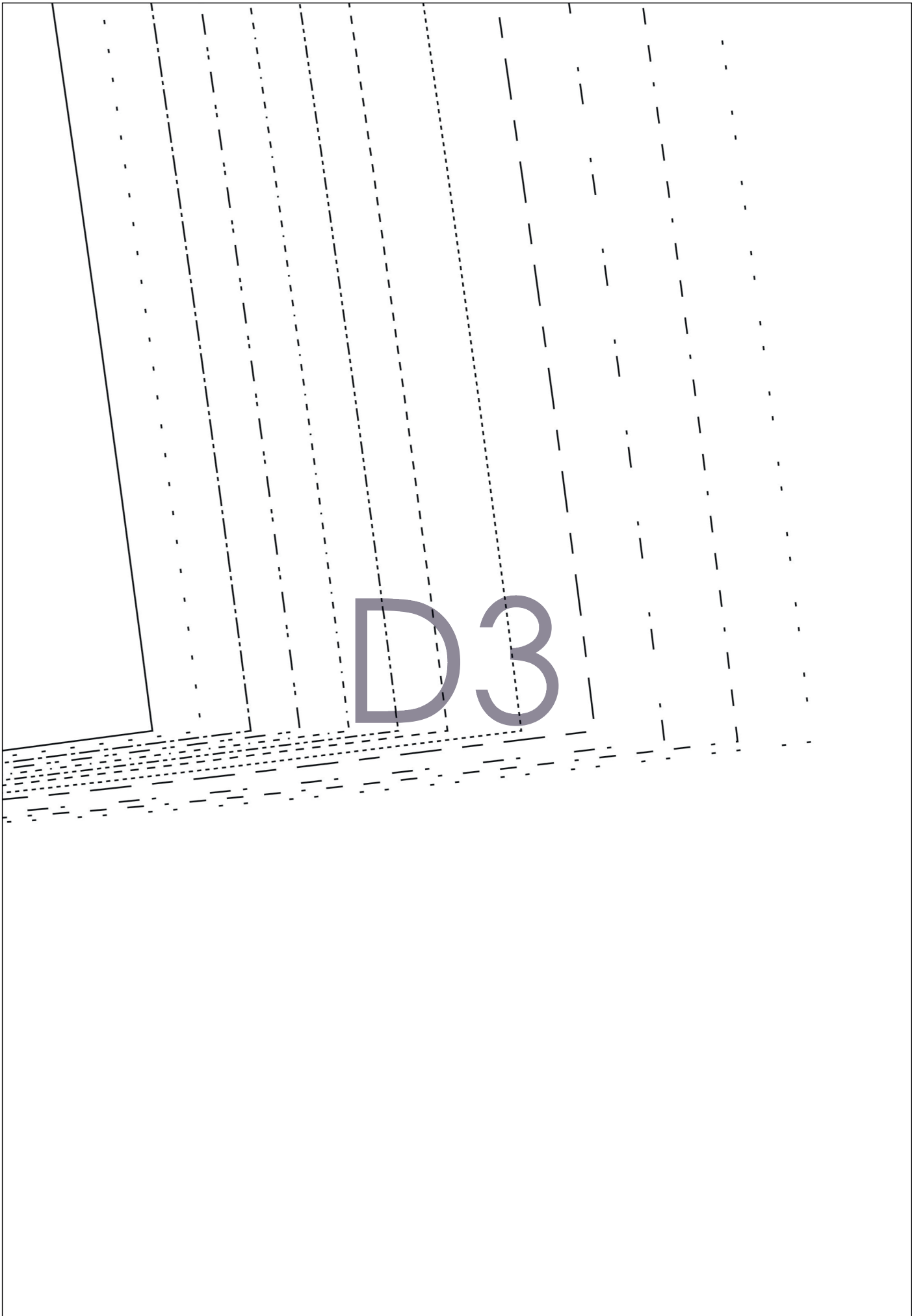
A handwriting practice sheet featuring a series of slanted lines. The lines are arranged in a repeating pattern of three styles: a solid line, a dashed line, and a dotted line. The text 'C3' is printed in a large, grey, sans-serif font in the center of the page, positioned between the second and third slanted lines.

D1

Hemmers Itex
fabrics for your creativity

D2





D3